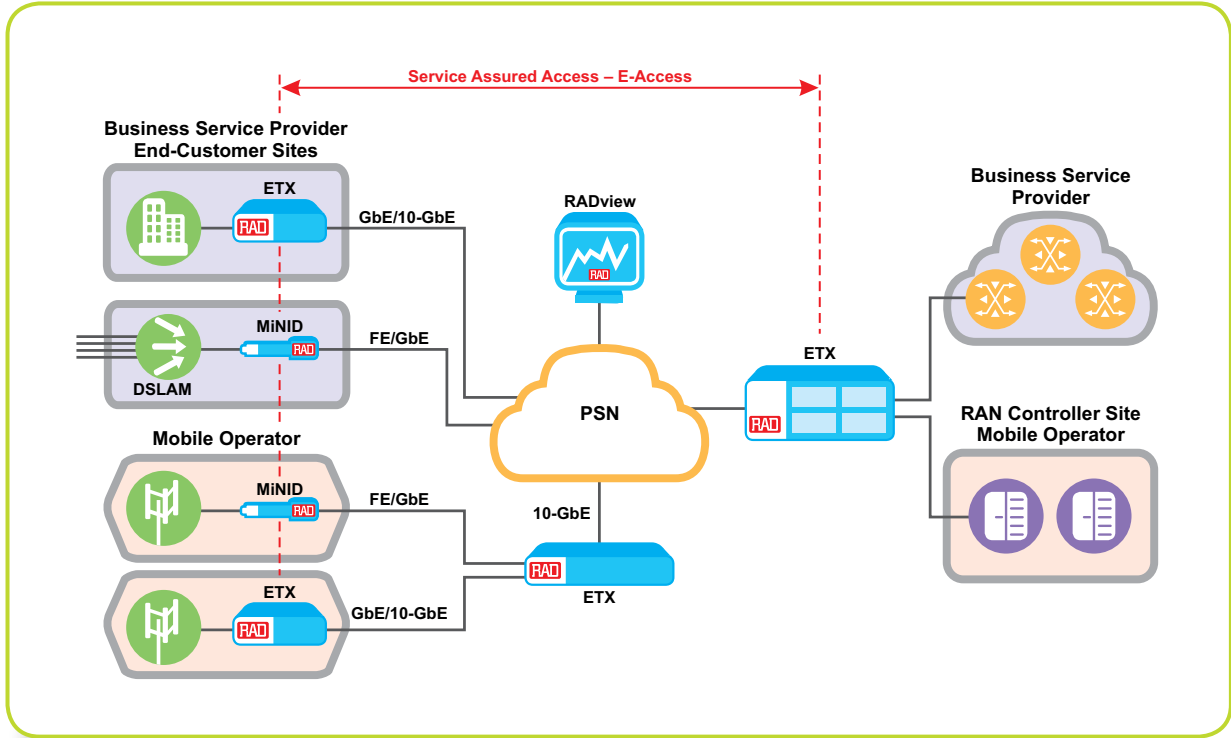




Wholesale Networking

Service Assured Access Solutions



Your Benefits:

- Provide wholesale Carrier Ethernet transport services to multiple service providers with complete visibility and controlled service hand-off between multiple networks
- Demarcation for business, mobile and DSLAM backhaul over the same transport network
- Provide SLA-based backhaul all the way to the end-customer site, cell site or POP
- MEF-certified Carrier Ethernet 2.0 E-Access support with single-CoS and/or multiple-CoS EVC/OVC for standards-based carrier-to-carrier connectivity
- Seamless connection between networks with 1-GbE and 10-GbE E-NNI interfaces with optional redundancy
- Enhance wholesale offering with VNF-based, customer managed, value added services

Products Included in this Solution:



ETX-2/ETX-2i
IP and Carrier Ethernet Demarcation with D-NFV



ETX-5
Ethernet Service Aggregation Platform



MiNID
Miniature Programmable Network Interface Device



RADview
Management and Domain Orchestration

