

Airmux-5000

Point-to-Multipoint Broadband
Wireless Access



RAD's Airmux-5000 series of carrier-class broadband wireless radios deliver native Ethernet services over point-to-multipoint (PtMP) links in various sub-6 GHz frequencies. It includes high capacity base stations (HBS) and high capacity subscriber units (HSU) for fixed and nomadic applications requiring guaranteed bandwidth per subscriber.

Airmux-5000 radios incorporate advanced technologies to ensure optimal performance and high spectral efficiency in dense radio environments and multipath conditions. Airmux-5000 products comply with worldwide regulations and standards and are deployed globally by leading service providers, as well as operators of public and private networks requiring high-capacity connectivity.

Part of
RAD's Service Assured
Access Solutions

Part of
RAD's Service Assured
Networking Solutions



Your Network's Edge®

Airmux-5000

Point-to-Multipoint Broadband Wireless Access

Key Takeaways:

- High capacity, up to 750 Mbps at the base station for best user experience
- Multi-band operation in a single device with a variety of channel bandwidth options
- Guaranteed service level agreement (SLA) for demanding applications
- Robust air interface with unique interference mitigation and NLOS/nLOS operation
- Greater spectrum efficiency for faster ROI
- Superb performance with interference immunity using beamforming technology

Use Airmux-5000 for:

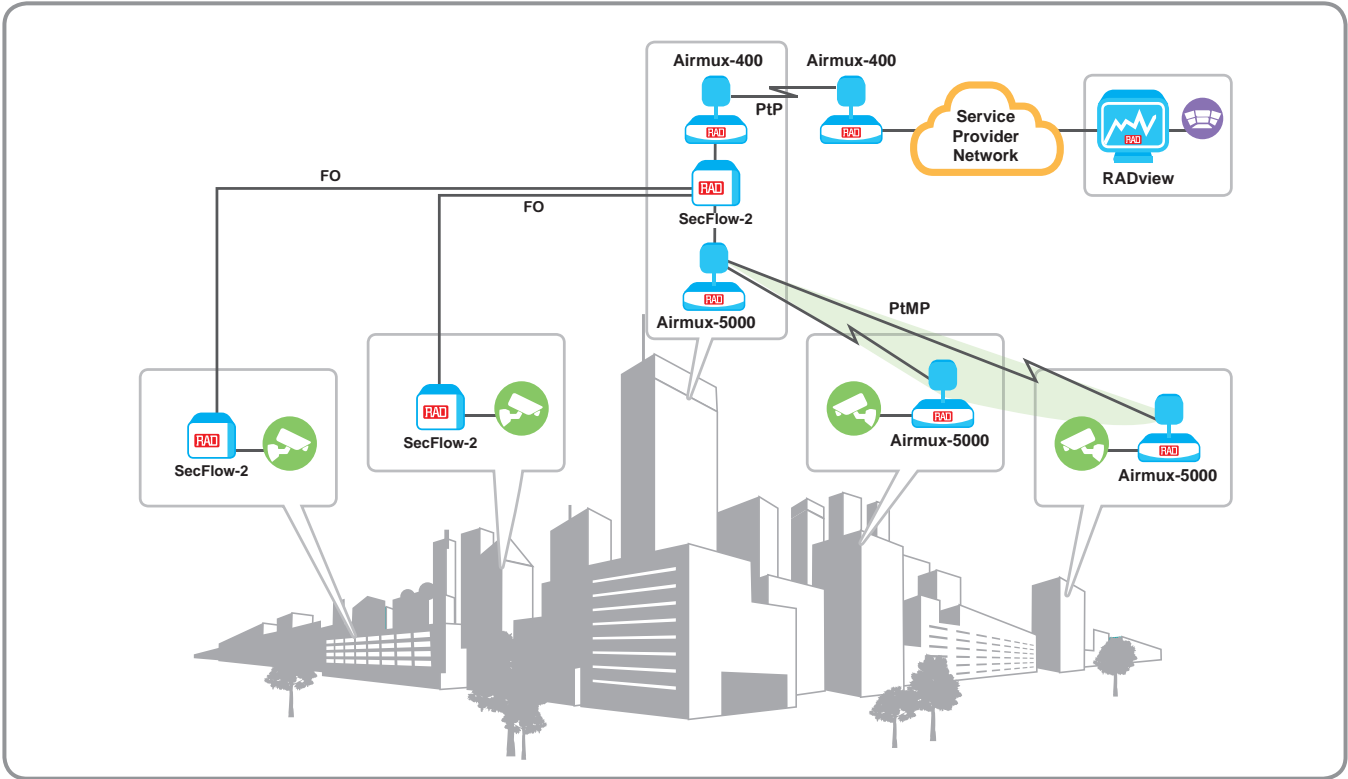


- Smart City Communications
- Police and Military Communications

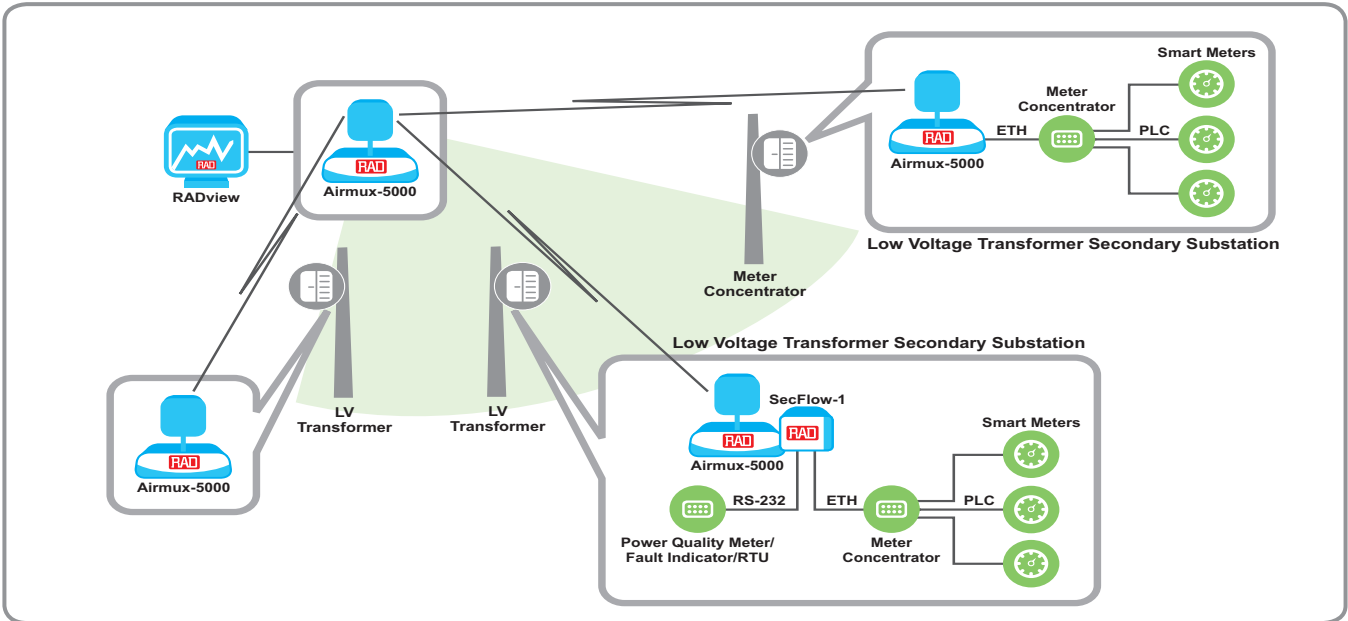


- Power Utility Communications
- Water Utility Communications

Smart City Communications



Distributed Automation and Smart Metering Backhaul



Quick Specs:

Product Series	Max. Aggregate Throughput	Band (GHz)
5000i HBS	Up to 750 Mbps	3.3–3.8, 3.65, 5.1–5.8
5000 HBS	25, 50, 100, 250 Mbps	2.4, 2.5–2.7, 3.3–3.8, 4.9–6.0
5000VS HBS	125** Mbps	5.1–5.8
5000 HSU	5*, 10*, 25*, 50* Mbps	2.4, 2.5–2.7, 3.3–3.8, 4.9–6.0

* Software upgradeable

** Up to 10 HSUs

- Fixed and nomadic capabilities
- Variety of subscriber units – 10 Mbps, 25 Mbps, 50 Mbps, 100 Mbps
- Small form-factor subscriber units, up to 32 HSUs per base station
- OFDM, MIMO 2x2/diversity for NLOS deployments
- Beamforming technology for congested areas (Airmux-5000i)
- 5 MHz, 10 MHz, 20 MHz, 40 MHz, or 80 MHz channel bandwidth with dynamic channel bandwidth selection (D-CBS)
- Co-exists with Airmux-400 point-to-point radios
- Automatic channel selection (ACS) with user preferred channels, dynamic frequency selection (DFS) support
- AES 256 encryption, Ethernet QoS
- GPS-based hub-site TDD synchronization
- Long range – 40 Km/25 miles
- Element manager (Airmux Manager) and network manager (RADview)
- Telnet & web-based management, IPv4 & IPv6; local and remote access
- IP67 rating for severe outdoor conditions



www.rad.com

Specifications are subject to change without prior notification. The RAD name, logo and logotype are registered trademarks of RAD Data Communications Ltd. RAD product names are trademarks of RAD Data Communications Ltd. ©2016 RAD Data Communications. All rights reserved. Catalog number 802697 Version 2/16