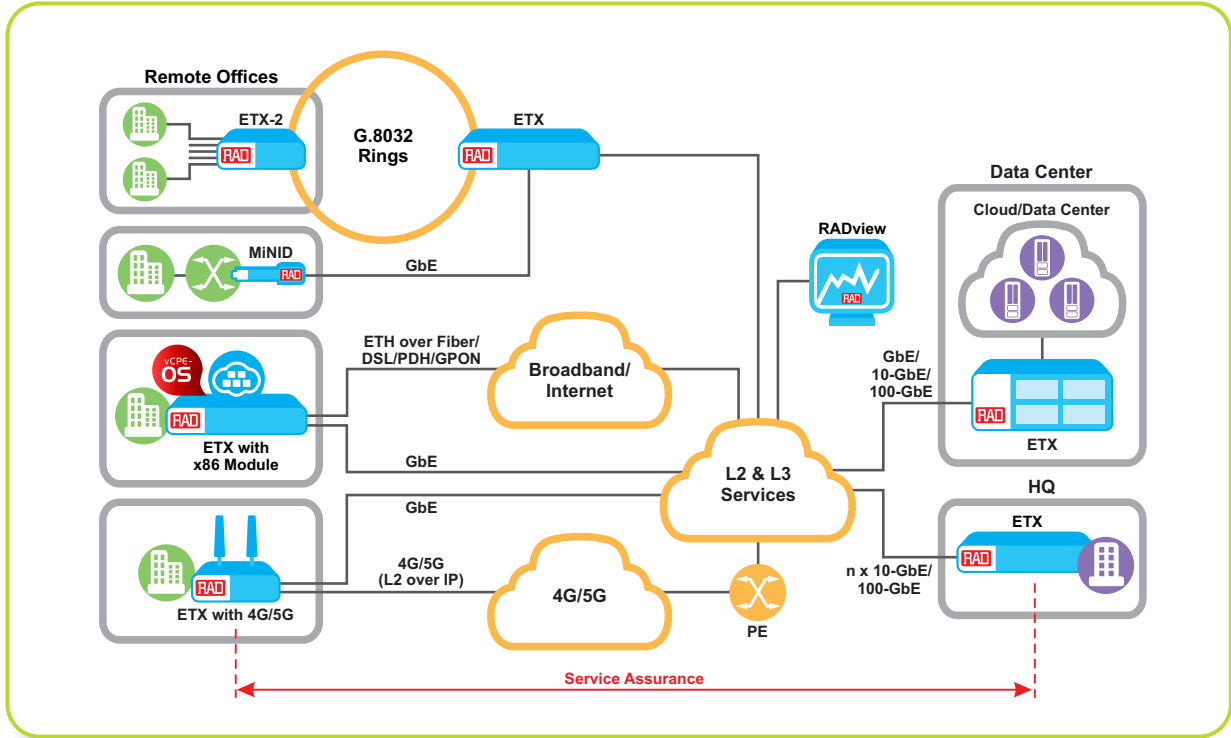


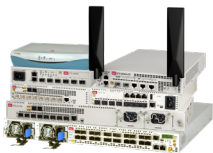


Carrier Ethernet for L2 VPNs



Your Benefits:

- Easily plan, deploy, provision, and maintain SLA-based business services over any access: fiber/copper/TDM/mobile
- Carrier Ethernet demarcation and aggregation switch up to 100G
- MEF 3.0-certified with standard NETCONF/YANG northbound interfaces
- Cost-effective aggregation with dynamic edge support for monitoring and policing vCPE functionality at the customer edge for introduction of value-added services
- Enhanced service provisioning, visibility and reporting using RADview Service Manager and RADview Performance Monitoring portal
- Double fiber capacity while avoiding costly new fiber/transceiver deployments with BiDi QSFP 100G/400G adaptors



ETX-2/ETX-2i
EADs with x86 Module, LTE/5G and Broadband Options



BiDi QSFP Adaptor
100G/400G Dual to Single Fiber Adaptor



ETX-2/ETX-2i
Carrier Ethernet Demarcation



MiNID
Miniature Programmable Network Interface Device



RADview
Management and Domain Orchestration

